

seamaly



SMT-120VP

**AUTOMATED VETERINARY
BIOCHEMISTRY ANALYZER**

DISTRIBUTED BY:



877-722-8910

contactsales@carolinachemistries.com
carolinachemistries.com

seamaty



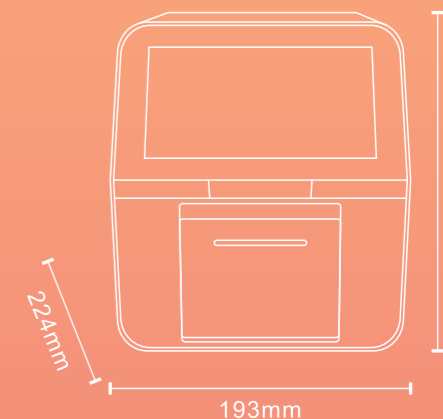
Founded in 2012, Chengdu Seamaty Technology Co., Ltd specializes in the Research & Development, production and marketing of POCT biochemistry analyzers. Seamaty is acknowledged and recognized by the Chinese government as a high-tech enterprise. Our company has established standard GMP clean production workshops and standard inspection laboratories, introduced a variety of imported Research & Development instruments and production equipment, developed and built multiple automated production lines independently. Seamaty has TUV ISO13485:2016 and CE certificates, and has registered many intellectual property and patent for inventions.

There are Research & Development centers in Chengdu and Shenzhen, and also have branches in Germany and Shenzhen. We currently distribute to over 100 countries around the world, including many European and American countries.

SMT-120VP

Automated Veterinary Biochemistry Analyzer

Seamaty SMT-120VP realizes the miniaturization and automation of the analyzer by microfluidic technology. It has a built-in intelligent quality control system, test results are accurate and reliable, the analyzer is easy to operate and take up little space. It is an ideal diagnostic tool to help veterinarians assess the health of animals and it has become the professional choice of thousands of veterinary hospitals and clinics.



Small and portable

Small size, weight only 4Kg.
Small footprint and can be carried anywhere.



Easy to use

Only need to add samples, it's easy to operate.
No need to add diluent manually.



Small sample volume

The sample volume is only 100µl.
Easy to do test for small animals and exotic animals.



One analyzer for multiple uses

Covers biochemistry, electrolyte, coagulation, feline and canine inflammation detection (c-CRP, f-SAA).



Consumable advantages

Freeze-dried reagents with 15-month shelf-life.
Original disc microfluidic technology to avoid cross-contamination.
Autonomous ultrasonic welding, the quality is more guaranteed.

SPECIFICATION

| | | | |
|-------------------------|---|-------------------|---|
| Sample Volume | 90-120µl | Weight | 4Kg |
| Sample Type | Anti-coagulated whole blood, serum, plasma | Testing Principle | Absorption spectroscopy, transmission turbidimetry |
| Bar Code | Two-dimensional bar code | Printer | Built-in thermal printer |
| Storage | MAX 500,000 results | QC & Calibrate | Real time full-auto finish |
| Temperature | 37±0.3°C | Order Code | A00121VETENO |
| Resolution | 0.001 Abs | Absorbance | 0-3.0Abs |
| Testing Method | End point, kinetic, fixed time and turbidimetry | Display | Android 7.0 inch 800*480,multi-point capacitive touch screen |
| Operational Environment | Temperature: 10-30°C, Humidity: <85% | Connectors | 2 USB ports |
| Light Source | 12V/20W, halogen tungsten lamp's life span is over 2500 hours | Language | English, Italian, Portuguese, Russian, Spanish, Deutsch, French |
| Power | AC 100-240V ,50/60Hz | Rated Power | 100VA |

EASY 3-STEPS OPERATION

Dilution, centrifugation, quality control and test result printing occur automatically as steps during the sample analysis process.



01 Insert Sample(100µl blood)

Whole blood sample do not require pre-treatment. A full test is available with only 100µl of whole blood, serum or plasma.



02 Insert Rotor(12 minutes to result)

Key moving parts are original and sourced from US manufacturer. All fluids are self-contained within the rotor, eliminating the need for internal pumps, valves and other vulnerable parts.



03 Read Result (immediately)

Analyzer quality control and calibration are automatically carried out in real time during the analysis process. Use the photoelectric colorimetric principle to eliminate random error and cross contamination.

VETERINARY ROTOR PROFILE & ORDER CODE

16 Health Check Parameters

Order Code: **AW01981**

Characteristic

It's often used for disease screening, health check and sterilization check, which can help veterinarians make clinical diagnosis. This parameters involve liver function, kidney function, myocardium and blood lipids. It's also often used for a comprehensive test during treatment (test every 3-4 days).13 Health check parameters are suitable for felines and canines with obvious symptoms of liver and kidney damage. It can be preliminarily judged high or low blood calcium through combined with total Ca and ALB.

Note: Parameters with * are calculated values

Parameters

ALB AMY Ca LPS TC TP Crea GLU TB ALT AST CK BUN
TG PHOS A/G* B/C* GLOB*

10 Pre-Operation Test Parameters

Order Code: **AW01982**

Characteristic

Note: Parameters with * are calculated values

It's often used to check whether the animals' physical signs are suitable for operation, and often used with the 4 coagulation parameters together, which can greatly reduce the risk of bleeding, pain and anesthesia during the operation. Transaminase is used to assess the function of anesthesia recovery, and help the veterinarians to confirm anesthetic dosage. LDH assesses myocardial indicators and prevents surgical risks such as shock during operation.

Parameters

ALT AST ALP B/C CK Crea GLU TP BUN LDH B/C*

seamaty

SMT-120VP

AUTOMATED VETERINARY BIOCHEMISTRY ANALYZER

24 Comprehensive Plus Test

Order Code: **AW01980**

Characteristic

This rotor with the most comprehensive parameters cover multiple biochemical groups such as liver, kidney, pancreas, myocardium, ion, protein, and metabolism, and can help veterinarians to diagnose diseases in all aspects. It is often used for comprehensive test of disease and health. It is a cost-effective rotor for veterinary hospitals and pet owners.

Note: Parameters with * are calculated values

Parameters

ALB Crea BUN LPS AMY LDH UA AST TP TB Ca CK TC
GGT TG PHOS GLU TBA ALP ALT GLOB* A/G* B/C* tCO2

12 Electrolyte Plus Parameters

Order Code: **AW01985**

Characteristic

The parameters contain PH and LAC. The PH is usually an important parameter for monitoring the normal activity of the enzyme system and it can assess the decompensated acidosis or alkalosis. The LAC can find out whether the animal has lactic acidemia, especially when the animal has multiple serious diseases, such as liver and kidney dysfunction, and shock.

Parameters

Crea GLU BUN PHOS CL- Na+ pH K+ tCO2 LAC Mg CA B/C*

DISTRIBUTED BY:



877-722-8910

contactsales@carolinachemistries.com
carolinachemistries.com